




# Installation Instructions for Humidifier Model DS-2800

## Inside The Box

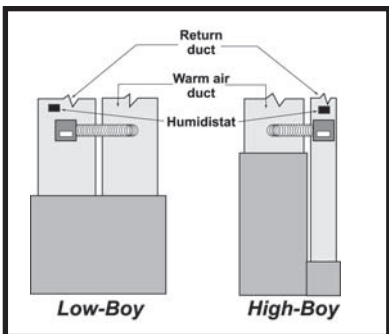
- Vapor Pad
- Manual Humidistat
- Motor
- 24 V Transformer with wire (9')
- Floor Drain Tubing (8')
- Water Supply Tubing (7')
- Automatic Float Valve
- Circuit Wiring (3')
- 6" Diameter Rigid and Flexible By-pass Duct (2.5')
- Integral Bypass Damper with Duct Collar
- Drum Accessories
- Hardwire Kits

**WARNING:** DISCONNECT ELECTRICAL POWER BEFORE BEGINNING INSTALLATION.



**IMPORTANT:** To ensure your safety and the longevity of your unit, we recommend:

- Contacting a licensed contractor to perform maintenance or repairs.
- Changing your Vapor Pad® at the start of each heating season.



### 1. Typical installations of the humidifier

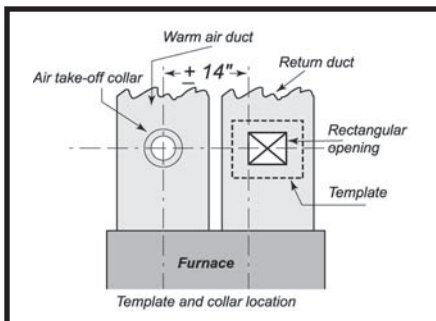
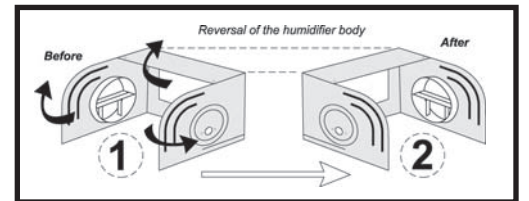
- There are two frequently encountered types of installations: LOW-BOY furnace and HI-BOY furnace.
- This humidifier **MUST** be installed on the return duct (cold air). If you install it on the supply duct, the air pressure in the warm air duct may lift the cover.
- Identify the return duct and choose the duct side which offers the best access for installation and maintenance.
- **The humidifier must be installed in such a way that if a leak occurs, the water could not cause any damage to the property.**

### 2. Preparing the humidifier

This humidifier is factory assembled with the air inlet located at the left side, thus the motor will be installed on the right side. This is reversible, if necessary. However, if it is suitable as supplied, please go directly to the next step.

To reverse the sides, do the following :

- If the plastic is cold, please allow it to warm-up before you proceed with this unfolding operation.
- Lift the front of the water pan to disengage it from the sides of the humidifier and slide it out of the unit.
- Remove the two screws located at the top of the humidifier body.
- Open the two sides of the humidifier.
- Bend the two sides in the opposite direction and finish with the top.
- Put the two screws back in place, taking care to not strip the plastic material.



### 3. Installing the humidifier

- Shut off the furnace power. • **Kit No. 1** contains all the material you need to install the humidifier body.
- Choose the location of the template and make sure that a distance of approximately 14" between the furthest left vertical line of the humidifier opening and the centre of the air take-off collar can be obtained.  
**This 14" dimension is given for a typical installation, some installations may differ.**
- Apply the humidifier template (#1) on the return duct, level it and then attach it to the duct.
- Starting from the vertical line of the opening (the one closest to the warm air duct), measure 14" and mark the centre of the air take-off opening.
- **Warning :** Always check that you are not about to cut or drill into any air conditioning or electrical accessory during installation.
- Center punch the four screw holes and the four corner holes through the template and pierce 8 holes in the duct with a 3/32" drill.
- Remove the template. Join the four corner holes with a marker line. Make a starting hole and cut a rectangular opening that will correspond to the back opening of the humidifier (7-3/4" x 6-1/2").
- Install the humidifier in the opening and attach it with the four screws #8 x 3/4". The ribs around the humidifier back opening must

fit into the rectangular opening in the duct. Check that the humidifier body is level from side to side and from back to front to make sure the drum will touch the water equally. Then fasten the humidifier to the duct.

- Fasten the motor to the opposite side of the air intake. **Kit No. 5** contains the motor and two screws.

We recommend the installation of the motor on the same side as the draining system (i.e. the right side). Although the humidifier would work the same way after being reversed, a motor installed on the right side gives a better "drive" on the mechanism.

### 4. Installing the humidistat and the transformer / circuit wiring

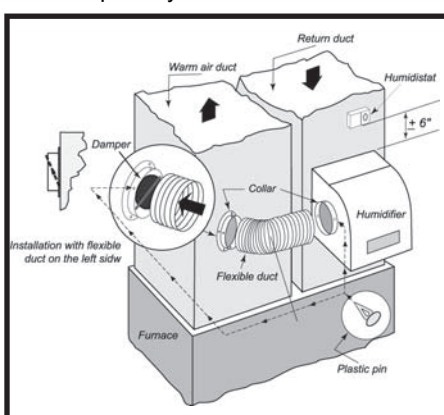
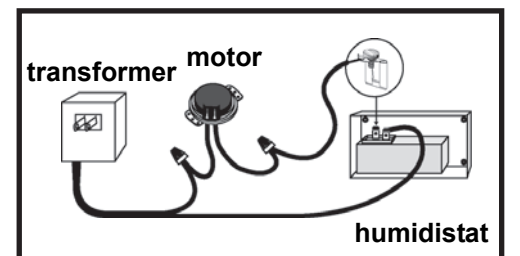
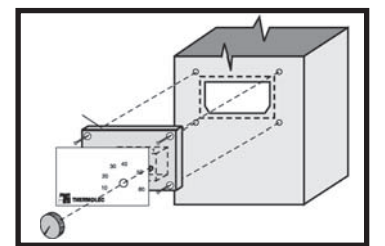
This humidifier is supplied with a transformer that can be plugged in to any electric outlet. The humidistat is a duct mounted type. The RETURN duct mounting method allows a better "sensing" of all the air returned to the furnace without being disturbed by a sudden increase in moisture level (kitchen or bathroom), thus offering superior humidity control.

**Kit No. 4** contains all the material you need to install the humidistat.

- The humidistat should be installed on a flat and vertical surface of the RETURN duct at 6 inches minimum upflow from the humidifier top.
- Attach the humidistat template on the duct.

**Warning :** Always check that you are not about to cut or drill into any air conditioning or electrical accessory during installation.

- Mark and drill the mounting holes and cut an opening for the humidistat.
- Push the two quick connectors on the humidistat terminals identified #2 (or COM) and #3 (or NO).
- Split the wire coming from the transformer in two on a suitable distance to connect one end to one of the motor wires and the other end to the humidistat terminal identified #2 (or COM).
- Use the separate piece of wire to connect the other wire of the motor to the second humidistat terminal identified #3 (or NO).
- Run the control wires through an opening located at the bottom of the front panel of the humidistat.
- Hold the wires while you install the humidistat in the opening. Check that the metal of the duct neither touches the connections nor cuts the wire insulation. Then fasten the humidistat to the duct. The humidistat mechanism is exposed in the duct.
- Temporarily install the control knob on the humidistat.



### 5. Installing the air take-off collar

The plastic air take-off collar is combined with an adjustable damper. Draw a 6" dia. circle on the point previously marked on the warm air duct.

**Warning :** Always check that you are not about to cut or drill into any air conditioning or electrical accessory during installation.

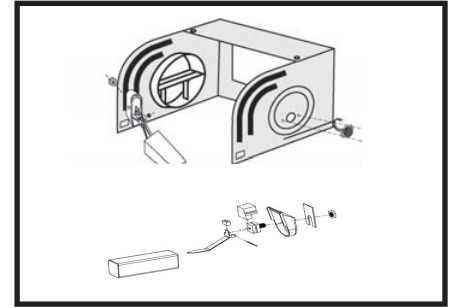
- Make a starting hole in the duct and cut the round opening for the air take-off collar.
- Centre the collar on the opening and rotate it so that the damper actuator will be accessible after you install the flexible duct. Then mark and drill the four fastening holes (3/32" dia).
- Fasten the air take-off collar to the duct with four screws.

### 6. Installing the flexible duct

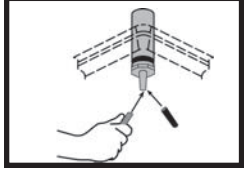
- Measure the required flexible duct length necessary to connect the humidifier to the air take-off collar, so it does not sag. Keep in mind that the damper mobile plate needs a little space to rotate inside the flexible duct. Then cut the excess portion of the flexible duct.
- Slide the flexible duct on the air take-off collar and secure it by inserting the plastic pins through the foil in between two reinforcement wires.
- Repeat this operation at the humidifier side.

## 7. Installing the automatic valve from kit No.2

- There will be holes on either side of the unit. But the automatic valve should be installed only on the left side of the unit.
- The automatic valve will be supplied as a loose piece and need to be installed with the humidifier body.
- Install the automatic valve by placing the valve inside the humidifier body and fastening it with a flat washer and hexagonal lock nut from outside the humidifier body.
- Make sure that the valve splash guard is placed parallel with the two ribs of the humidifier body.
- The desirable water level in the water pan is 3/4" from the top of the water pan. Tighten or loosen the hexagonal locking nut to indirectly adjust the water level in the water pan



## 8. Preparing the water pan



The **DS-2800** is supplied with an overflow protection tube to be installed in the hole of the pan. Although we strongly recommend using it, if you don't want to take advantage of the overflow feature or if you don't have a floor drain, leave the factory installed vinyl cap on the spigot.

- Install the overflow tube through the hole in the pan.
- Install the O-ring around the screw part that sticks at the outside of the pan, then the plastic washer.
- Secure the overflow tube to the water pan with the plastic nut, without stripping.

## 9. Installing the water pan into the humidifier

- Slide the water pan into the humidifier, between the two plastic rails located at the sides of the unit.
- Slightly open the sides of the humidifier and insert the two side tabs of the water pan into the two rectangular holes in the sides of the humidifier.
- Push the front of the water pan down to snap the two tabs in the sides of the humidifier.

## 10. Installing the floor drain tube to the humidifier

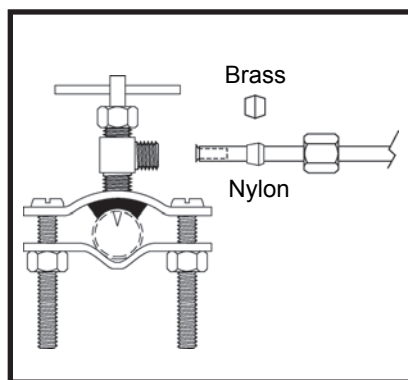
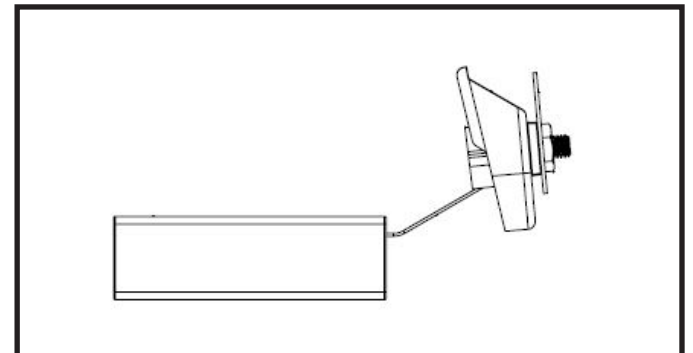
- Push one end of the drain hose onto the spigot of the overflow tube or the draining system. The other end **MUST** be connected to a floor drain. Please install the tubing as vertical as possible and do not leave bends or loops where water could accumulate, thus allowing minerals to build-up in the tubing.
- The housing of the DS-2800 draining system is designed to protect against failure. Any overflow would be drained immediately.

Please ensure that operations 11, 12 and 13 are completed in sequence.

## 11. Connecting the supply tubing to the humidifier

The plastic tubing **MUST** be kept away from hot surfaces (e.g. the warm air duct or the exhaust vent). Also, measure carefully before cutting the plastic tubing.

- Slip the brass compression nut onto the plastic supply tube, then the nylon sleeve with its most tapered end towards the end of the tube. Finally, install a brass insert into the end of the plastic tubing.
- Push the supply tube fully into the brass compression fitting. Tighten the brass compression nut with small wrenches, without stripping, using the double wrench method to apply the torque on the fitting only.
- Although using the supplied plastic tubing is recommended, it is also possible to use copper tubing if this is already installed from a previous installation. In this case, it is recommended to cut 1" from the existing tube to start a new installation. Copper tubing does not need a brass insert. After having tightened the brass compression nut firmly by hand, just add three quarters of a turn with a small wrench.



## 12. Installing the supply valve on a copper pipe

A plastic bag contains the brass valve and all the material required to install the water supply valve. Water is taken from the nearest cold water pipe suitable for the supply valve installation. Shut off the main water valve. The saddle valve supplied is for an installation on copper pipe only. If the house is equipped with plastic tubing, you will have to install a special "humidifier" valve or do the water take-off at the hot water tank where there are generally two pieces of copper tube of approx. 12' to 24". Choose the cold water tube.

**Caution :** Please make sure that the piercing needle is completely recessed into the valve body by turning the handle counter clockwise.

- Assemble one side of top clamp to bottom clamp with a screw and a nut.
- Make sure that the rubber gasket is in place over the piercing needle and position the valve assembly on the copper water line.
- Assemble the other side of the top clamp to the bottom clamp with the remaining screw and nut.
- Tighten the two screws so that the valve is firmly attached to the water pipe. The two sides of the clamp must be parallel.

## 13. Connecting the water supply tubing to the supply valve

- Slip the brass compression nut onto the plastic tubing, then the nylon sleeve with its most tapered end towards the end of tubing.
- Fit the second brass insert (1/2" long, supplied with the brass valve) into the end of tubing.
- Push the tubing fully into the supply valve. Then tighten the brass compression nut with a small wrench.
- Turn the valve handle completely clockwise until it stops. This will pierce the copper pipe and close the valve.
- This saddle valve is designed to be fully open or closed. Do not use it to regulate the water flow.

**Note :** The brass sleeve supplied with the brass valve is to be used only if the plastic tubing is replaced by copper tubing (optional).

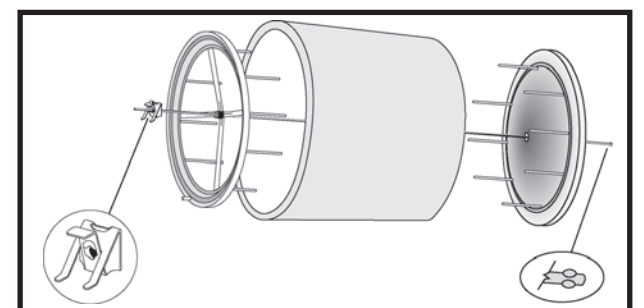
However, using a PEX tubing instead of plastic tubing is not recommended.

## 14. Installing the drum

- The drum shaft has a flat end that fits into the motor. The opposite end of the shaft snaps into position in the centre of the air collar.

## 15. Humidifier start-up

- Plug the transformer and slowly turn the humidistat control knob to the maximum setting. You should hear a click and the humidifier drum should start turning slowly (approximately 1 revolution per minute).
- **THE DRUM CAN ROTATE IN EITHER DIRECTION.**
- Carefully check that both ends of the water supply tubing are firmly held in place by their respective compression fitting.
- Check that the water level in the pan is at the right level and that the float closes the automatic valve completely.
- After peeling off the backing, affix the face plate to the cover of the humidistat and re-install the control knob.
- Set the humidistat to a median value (40 %).
- Make sure that there is no leak before leaving the installation unattended.
- Make sure that the peg located at the end of the drum comes in contact with the paddle wheel at every turn.
- Make sure that the drain tube has no bends, loops or kinks and that the drained water flows easily to the floor drain without accumulating in the tube.



## 16. Controlling the humidity level

- A relative humidity environment of 40% is recommended. However, you should take the outside temperature into consideration before setting the humidity level in order to avoid condensation on the windows. Please refer to the table on the humidistat face plate to help determine the proper level.
- Each adjustment of the humidistat should be followed by a period of 24 hours to allow the general humidity level to stabilize in the house.
- If your house remains unoccupied during the winter season, adjust the humidistat to a lower set point to prevent condensation.

## 17. Humidifier maintenance tips

- Neither stop nor rotate the drum manually. Do not remove the drum when it is rotating as it may cause permanent damage to the motor.
- Check the evaporator pad yearly and replace it if required.
- Depending on the water quality, the water pan and the float should be cleaned once a month.
- The draining system should also be cleaned once a year. Remove the screws at the top of the plastic box and carefully pull the little plunger. Wash the plunger and the inside of the box with a little brush. Then re-assemble the draining unit in the reverse order.

## 18. Summer season shut down

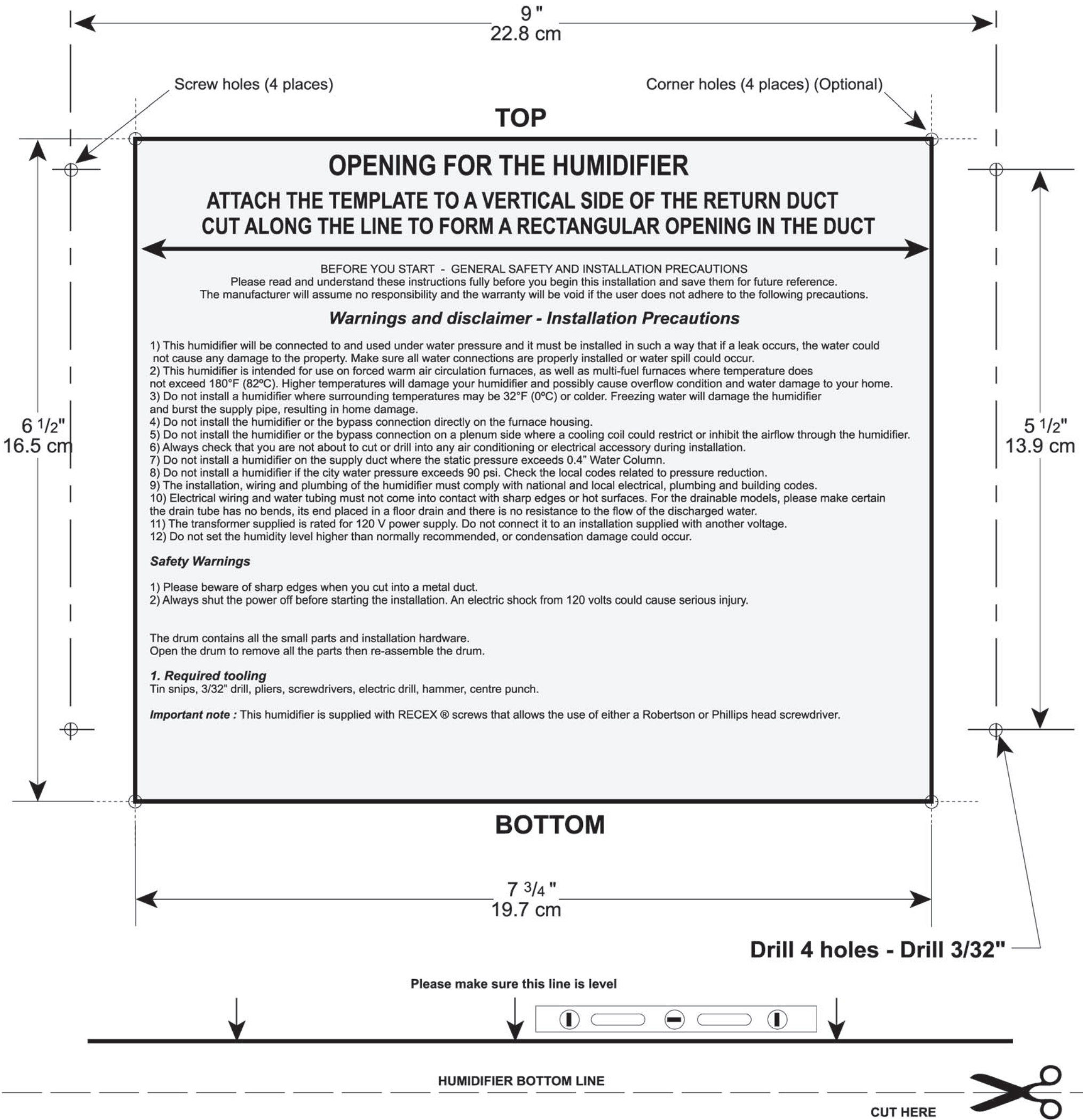
- If your system is used for air conditioning during the summer, reduce the air volume going through the humidifier by closing the air damper.
  - 1 - Close the water supply valve.
  - 2 - Turn the humidistat knob to the "OFF" position.
  - 3 - Unplug the transformer.
  - 4 - Empty and clean the water pan.

**NEED HELP ? Technical Assistance :**  
**Call :**

**(416) 757-3691**



# TEMPLATE #1



# GABARIT #1





# Instructions d'installation pour Humidificateur Model DS-2800

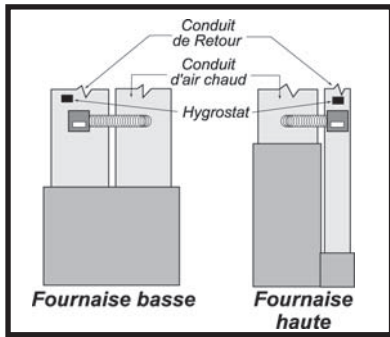
- Coussinet à vapeur
- Humidistat manuel
- Moteur
- Transformateur 24 V avec fil (9')
- Tuyau de drainage du plancher (8')
- Tuyau d'alimentation en eau (7')
- Valve à flotteur automatique
- Câblage du circuit (3')
- Conduit de dérivation rigide et flexible de 6 po de diamètre (2,5 pi)
- Clapet de dérivation intégré avec collier de gain
- Accessoires pour tambou
- Kits de câblage

**ATTENTION:** DÉBRANCHER L'ALIMENTATION ÉLECTRIQUE AVANT DE COMMENCER L'INSTALLATION



**IMPORTANT:** POUR ASSURER VOTRE SÉCURITÉ ET LA LONGÉVITÉ DE VOTRE APPAREIL, NOUS VOUS RECOMMANDONS:

- CONTACTER UN ENTREPRENEUR AGRÉÉ POUR EFFECTUER L'ENTRETIEN OU LES RÉPARATIONS
- CHANGER VOTRE TAMPON DE VAPEUR AU DÉBUT DE CHAQUE SAISON DE CHAUFFAGE



## 1. Emplacement de l'humidificateur

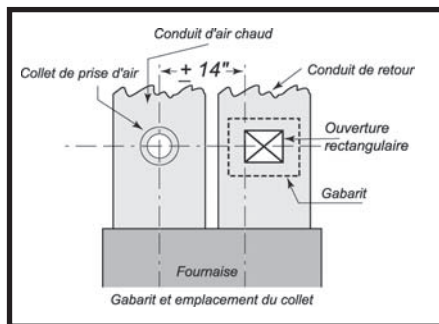
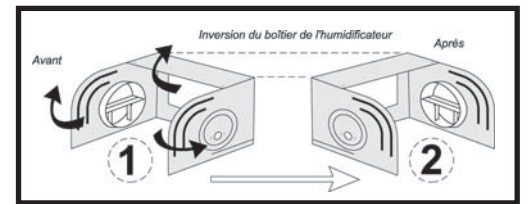
- Deux installations couramment rencontrées sont: Fournaise basse (LOW-BOY) et fournaise haute (HI-BOY).
- Cet humidificateur DOIT être installé sur le conduit de retour (air froid). Si vous l'installez sur le conduit d'alimentation, la pression dans le conduit d'air chaud pourrait faire lever le couvercle.
- Identifier le conduit de retour et choisir la paroi qui permet un accès facile pour l'installation et l'entretien.
- **L'humidificateur doit être installé de façon à ce qu'une fuite d'eau accidentelle ne cause pas de dégâts.**

## 2. Préparation de l'humidificateur

Cet humidificateur est assemblé en usine avec l'entrée d'air à gauche, donc avec le moteur à droite. Tout est réversible si nécessaire. Cependant, s'il convient comme il est fourni, passer à la prochaine étape.

Pour inverser l'humidificateur, faire les opérations suivantes :

- Si le plastique est froid, le laisser réchauffer avant de procéder à l'inversion de l'humidificateur.
- Lever un peu l'avant du bac à eau pour le dégager des encoches situées dans les côtés du boîtier et sortir le bac de l'humidificateur.
- Dévisser les deux vis qui se trouvent sur le dessus du boîtier.
- Ecarter les deux côtés de l'humidificateur.
- Replier les deux côtés dans la direction opposée et terminer par le dessus.
- Revisser les deux vis en prenant soin de ne pas endommager les filets.



## 3. Installation de l'humidificateur

- Fermer le courant à la fournaise. • Le **Kit No. 1** contient le matériel nécessaire à l'installation.
- Choisir la place du gabarit en vérifiant que l'on aura une distance d'environ 14" entre la ligne verticale de l'ouverture de l'humidificateur et le centre de la prise d'air.

**La dimension de 14" est donnée pour une installation typique, certaines installations peuvent être différentes.**

- Appliquer le gabarit de l'humidificateur (#1) sur le conduit, le mettre à niveau et l'attacher au conduit.
- En partant de la ligne verticale de l'ouverture rectangulaire la plus proche du conduit d'air chaud, mesurer 14" et marquer le centre du trou de prise d'air.

**Attention :** Toujours vérifier que vous n'allez pas percer ou couper un accessoire électrique ou de conditionnement d'air.

- Marquer les quatre trous de vis et les quatre trous de coins à travers le gabarit et percer le conduit avec une mèche de 3/32".
- Enlever le gabarit. Tracer une ligne entre les quatre trous de coin. Faire un trou de départ et découper une ouverture rectangulaire correspondant à l'ouverture arrière de l'humidificateur (7-3/4" x 6-1/2").

- Installer l'humidificateur dans l'ouverture et l'attacher avec quatre vis #8 x 3/4". Les nervures autour de l'ouverture arrière de l'humidificateur doivent entrer dans l'ouverture du conduit. Vérifier que l'humidificateur est de niveau de gauche à droite et d'avant en arrière, pour s'assurer que le tambour touche l'eau de manière égale, puis serrer les quatre vis de fixation.
- Fixer le moteur sur le côté opposé à l'entrée d'air. Le **Kit No. 5** contient le moteur et deux vis.

**MODÈLE AUTONETTOYANT :** Il est recommandé d'installer le moteur sur le même côté que le système de drainage (le côté droit). Bien que l'humidificateur puisse fonctionner

correctement après avoir été inversé, le moteur du côté droit assurera un meilleur enclenchement du mécanisme.

## 4. Installation de l'hygrostat et du transformateur / câblage du circuit

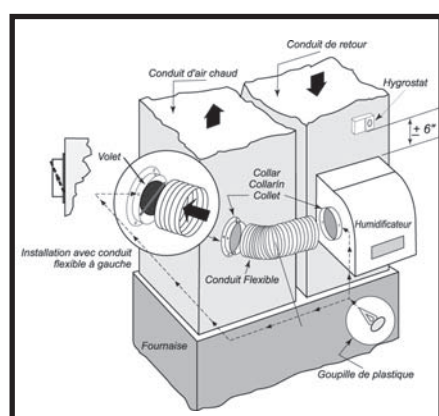
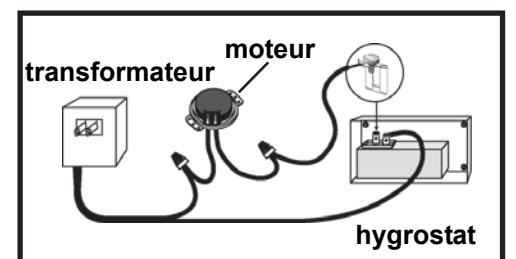
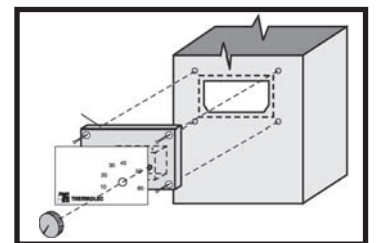
Cet humidificateur est fourni avec un transformateur qui peut être installé sur n'importe quelle prise de courant. L'hygrostat est un modèle à montage sur conduit. Le montage sur le conduit de RETOUR permet une meilleure mesure de l'humidité générale de la maison sans être influencé par une humidité soudaine (cuisine, salle de bain) et assure donc un meilleur contrôle.

Le **Kit No. 4** contient tout le matériel nécessaire à l'installation de l'hygrostat.

- L'hygrostat doit être installé sur une paroi verticale du conduit de RETOUR à 6 pouces minimum en amont au dessus de l'humidificateur.
- Attacher le gabarit de l'hygrostat au conduit.

**Attention :** Toujours vérifier que vous n'allez pas percer ou couper un accessoire électrique ou de conditionnement d'air.

- Marquer et percer les trous de montage et découper une ouverture pour l'hygrostat.
- Pousser les deux connecteurs sur les bornes de l'hygrostat identifiées #2 (ou COM) et #3 (ou NO).
- Séparer en deux le fil venant du transformateur sur une distance suffisante pour pouvoir raccorder un bout à l'un des fils du moteur et l'autre bout à la borne de l'hygrostat identifiée #2 (ou COM).
- Utiliser un morceau de fil fourni séparément pour raccorder l'autre fil du moteur à la deuxième borne de l'hygrostat identifiée #3 (ou NO).
- Passer les fils dans une petite encoche située au bas du boîtier de l'hygrostat.
- Tout en tenant les fils dans l'encoche, installer l'hygrostat dans l'ouverture. Vérifier que le conduit de métal ne touche pas les connexions et ne coupe pas l'isolant du fil. Ensuite, fixer l'hygrostat au conduit. Le mécanisme est exposé à l'intérieur du conduit.
- Poser provisoirement le bouton de contrôle sur l'hygrostat.



## 5. Installation du collet de prise d'air

Le collet de prise d'air en plastique est combiné avec un volet réglable. Dessiner un cercle de 6" dia sur le point préalablement marqué sur le conduit d'air chaud.

**Attention :** Toujours vérifier que vous n'allez pas percer ou couper un accessoire électrique ou de conditionnement d'air.

- Faire un trou de départ et couper une ouverture ronde pour le collet de prise d'air.
- Centrer le collet sur l'ouverture ronde et tourner le collet de façon à ce que le bouton de réglage du volet soit accessible une fois que le conduit flexible sera installé. Ensuite marquer et percer les quatre trous de fixation (3/32" dia).
- Fixer le collet de prise d'air au conduit avec quatre vis.

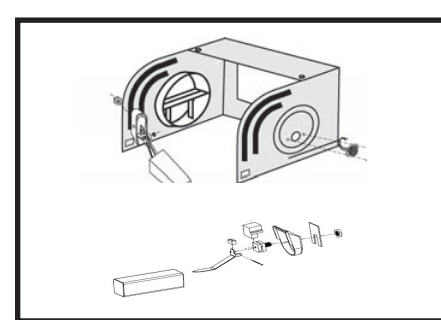
## 6. Installation du conduit flexible

- Mesurer la longueur de conduit nécessaire au raccordement de l'humidificateur au collet de prise d'air de manière à ce qu'il ne pende pas. Garder à l'esprit que le volet a besoin d'un peu d'espace pour tourner au centre du collet. Couper le surplus du conduit flexible en laissant un peu d'espace pour le volet.
- Glisser le conduit flexible sur le collet de prise d'air et l'attacher en insérant quatre goupilles de plastique entre deux fils de renfort.
- Répéter l'opération du côté de l'humidificateur.

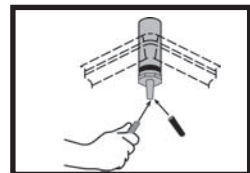
## 7. Installation de la valve automatique Kit No. 2

Il y aura des trous de chaque côté de l'unité, mais la vanne automatique ne doit être installée que sur le côté gauche de l'unité.

- La vanne automatique est fournie en pièces détachées et doit être installée avec le corps de l'humidificateur.
- Installez la vanne automatique en la plaçant à l'intérieur du corps de l'humidificateur et en la fixant avec un contre-écrou hexagonal depuis l'extérieur du corps de l'humidificateur.
- Assurez-vous que la protection contre les projections de la valve est placée parallèlement aux deux nervures du corps de l'humidificateur.
- Le niveau d'eau souhaitable dans le bac à eau est de 3/4" à partir du haut du bac à eau. Serrez ou desserrez l'écrou de blocage hexagonal pour régler indirectement le niveau d'eau dans le bac à eau.



## 8. Préparation du bac à eau



Le DS-2800 est fourni avec un tube de protection contre le débordement qui doit être installé dans le trou au fond du bac à eau. Bien qu'il soit fortement recommandé d'utiliser cet équipement, si vous ne désirez pas l'utiliser ou si vous n'avez pas de drain de plancher, laissez le capuchon en vinyl installé en usine sur l'extrémité du tube.

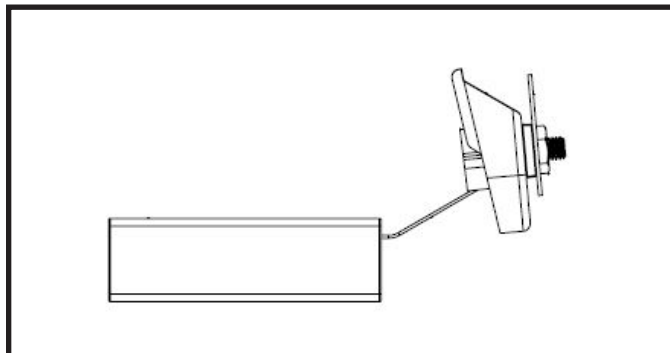
- Installer le tube dans le trou au fond du bac à eau.
- Installer le joint torique autour de la partie filetée qui dépasse du bac, ensuite la rondelle de plastique.
- Installer et serrer fermement l'écrou en plastique, sans endommager les filets.

## 9. Installation du bac à eau

- Glisser le réservoir à eau dans l'humidificateur, entre les deux nervures de plastique se trouvant sur les côtés de l'appareil.
- Ecarter légèrement les côtés de l'humidificateur et insérer les deux languettes de côté dans les deux ouvertures rectangulaires.
- Pousser l'avant du bac à eau vers le bas pour l'accrocher correctement dans l'humidificateur.

## 10. Raccordement du tube de l'humidificateur au drain de plancher

- Pousser une extrémité du tuyau sur le raccord du tube système de drainage. L'autre extrémité **DOIT** être connectée à un drain de plancher et non pas n'importe quel type de contenant. Installer le tube le plus verticalement possible en ne laissant pas de coude ou de boucle où l'eau pourrait s'accumuler entre les périodes de drainage et permettre aux minéraux de se déposer à l'intérieur du tube.
- Le boîtier du système de drainage du DS-2800 est aussi protégé contre les débordements. Tout surplus d'eau dans le bac est envoyé directement dans le drain.



### **S'assurer de faire les opérations, 11, 12 et 13 dans l'ordre indiqué**

#### 11. Raccordement du tube d'alimentation à l'humidificateur

Le tube en plastique DOIT être éloigné des surfaces chaudes (par exemple, le conduit d'air chaud ou le conduit d'évacuation). De plus, mesurez soigneusement avant de couper le tube en plastique.

- Glissez l'écrou de compression en laiton sur le tube d'alimentation en plastique, puis le manchon en nylon avec son extrémité la plus effilée vers l'extrémité du tube. Enfin, installez un insert en laiton dans l'extrémité du tube en plastique.
- Poussez le tube d'alimentation à fond dans le raccord de compression en laiton. Serrez l'écrou de compression en laiton avec de petites clés, sans dénuder, en utilisant la méthode de la double clé pour appliquer le couple sur le raccord uniquement.
- Bien qu'il soit recommandé d'utiliser le tube en plastique fourni, il est également possible d'utiliser un tube en cuivre si celui-ci est déjà installé lors d'une installation précédente. Dans ce cas, il est recommandé de couper 1" du tube existant pour commencer une nouvelle installation. Le tube en cuivre n'a pas besoin d'un insert en laiton. Après avoir serré fermement l'écrou de compression en laiton à la main, il suffit d'ajouter trois quarts de tour avec une petite clé.

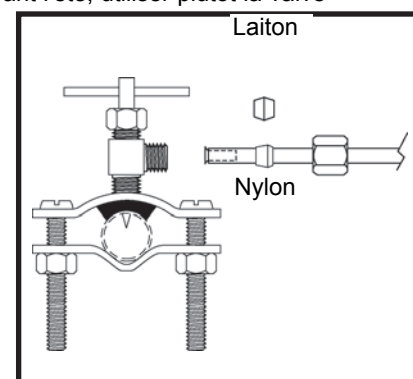
- Cette valve est équipée d'un levier de fermeture intégré. Sur le dessus de la valve se trouve un levier pivotant qui permet de tenir la valve fermée pour une courte période sans avoir à fermer l'eau à la valve d'alimentation sur le tuyau de cuivre. Pour bloquer la valve en position fermée, lever le bras du flotteur jusqu'à ce que la valve soit bien fermée puis tourner le levier jusqu'au milieu pour maintenir le bras en position haute. Comme cette opération comprime le caoutchouc assez fort, cette méthode est prévue pour les périodes d'entretien seulement et ne doit pas être utilisée pour une fermeture permanente. Pour une période plus longue ou durant l'été, utiliser plutôt la valve d'alimentation sur le tuyau de cuivre.

## 12. Installation de la valve d'alimentation sur une conduite d'eau en cuivre

Un sac de plastique contient la valve en laiton et tout le matériel nécessaire pour installer la prise d'eau. La prise d'eau se fait sur une conduite d'eau froide proche de l'humidificateur. Fermer l'eau au robinet d'arrêt principal. La valve fournie est pour une installation sur tuyau de cuivre seulement. Si la maison est équipée de tuyauterie en plastique, il faudra installer une valve spéciale pour humidificateur ou faire la prise d'eau au réservoir d'eau chaude où il y a généralement deux bouts de tuyau en cuivre d'une longueur de 12" à 24". Choisir le tuyau d'eau froide.

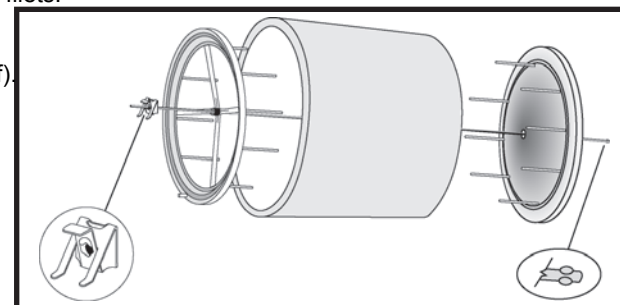
**ATTENTION :** S'assurer que l'aiguille de perçage soit bien rentrée à l'intérieur de la valve en tournant la poignée complètement vers la gauche.

- Assembler un des côtés du collier supérieur au collier inférieur au moyen d'une vis et d'un écrou.
- S'assurer que le joint de caoutchouc soit bien en place sur l'aiguille et poser la valve sur le tuyau d'eau en cuivre.
- Attacher le deuxième côté du collier supérieur au collier inférieur avec la vis et l'écrou restants.



- Enfiler l'écrou à compression en laiton sur le tube de plastique; puis la bague en Nylon avec le bout le plus effilé vers l'extrémité du tube.
- Insérer le second embout de laiton (1/2" de long, fourni avec la valve en laiton) à l'intérieur du tube.
- Pousser le tube au fond de la valve et serrer l'écrou à compression au moyen d'une petite clé, sans endommager les filets.
- Tourner la poignée de la valve complètement vers la droite et à fond. Ceci percera le tuyau et fermera la valve.
- Cette valve est conçue pour être complètement ouverte ou fermée. Ne pas l'utiliser pour ajuster le débit d'eau.

**NOTE :** La bague en laiton fournie avec la valve est utilisée quand l'installation est faite avec un tube en cuivre (facultatif).



## 15. Mise en marche de l'humidificateur

- Installer le transformateur sur une prise de courant et tourner lentement le bouton de l'hygrostat au maximum. Un déclic se fera entendre et le tambour de l'humidificateur devrait tourner lentement (environ 1 tour par minute).
- **LE SENS DE ROTATION EST SANS IMPORTANCE.**
- Vérifier que les deux extrémités du tube d'alimentation d'eau sont maintenus fermement en place dans les raccords à compression.
- Vérifier que le niveau d'eau dans le réservoir est à la hauteur désirée et que le flotteur ferme parfaitement la valve automatique.
- Après avoir enlevé le papier protecteur, coller l'étiquette sur la face avant de l'hygrostat et réinstaller le bouton.
- Ajuster l'hygrostat à une valeur moyenne (40 %).
- S'assurer qu'il n'y a aucune fuite avant de laisser l'installation sans surveillance.
- Vérifier que le doigt de plastique sur le côté du tambour vient toucher la petite roue du système de drainage à chaque tour. C'est le mouvement de cette roue qui provoque le drainage à intervalles réguliers.
- Vérifier que le tuyau de drainage n'a pas de coudes ou n'est pas pincé et que l'eau s'écoule facilement vers le drain sans s'accumuler dans le tube.

## 16. Contrôle de l'humidité relative

- Un degré d'humidité relative de 40% est recommandé. Cependant il faut tenir compte de la température extérieure pour faire l'ajustement de l'hygrostat afin d'éviter une condensation excessive sur les fenêtres. Consulter le tableau sur l'étiquette de l'hygrostat pour trouver le bon ajustement.
- Chaque ajustement de l'hygrostat doit être suivi d'une période de 24 heures pour permettre une stabilisation du degré d'humidité dans la maison.
- Si la maison doit rester inoccupée en hiver, régler l'hygrostat à un niveau plus bas afin de prévenir toute condensation.

## 17. Entretien normal de l'appareil

- Ne pas arrêter ni faire tourner manuellement le tambour. Ne pas enlever le tambour lorsqu'il tourne car cela peut endommager le moteur.
- Vérifier le tampon évaporateur une fois par année et le remplacer si nécessaire.
- Suivant la qualité de l'eau, le réservoir et le flotteur devraient être nettoyés en moyenne une fois par mois.
- Le système de drainage devrait aussi être nettoyé une fois par année. Enlever les vis retenant le couvercle du système de drainage et retirer délicatement le plongeur. Laver le petit plongeur et l'intérieur du boîtier au moyen d'une petite brosse. Ensuite remonter le système de drainage dans l'ordre inverse.

## 18. Saison estivale

- Si le système de chauffage fonctionne en climatisation pendant l'été, réduire le volume d'air dans l'humidificateur en fermant le volet de réglage.

1 - Fermer l'eau à la valve d'alimentation.

2 - Tourner le bouton de l'hygrostat à la position "OFF".

3 - Débrancher le transformateur.

4 - Vider et nettoyer le réservoir.

**BESOIN D'AIDE ? Assistance technique :**

**(416) 757-3691**